

COULSDON AMATEUR TRANSMITTING SOCIETY  
**G4FUR**  **M1FUR**  
**CATS WHISPERS**



Affiliated to the RSGB

**May 2011**

**SYCOM** - Official CATS Sponsor  
Visit [www.sycomcomp.co.uk](http://www.sycomcomp.co.uk)

**CATS Committee**

Chairman: Glenn Rankin, G4FVL  
Secretary: Steve Beal, G3WZK  
Treasurer: Steve Conway, G7SYO  
Members: Stuart Barber, G6CJR  
Frank Emery, G3ZMF  
Dennis Noe, M0NDJ  
James Flint, G0SDB

**CATS Whispers Editor:** Steve Beal, G3WZK  
email address for contributions: [newsletter@catsradio.org](mailto:newsletter@catsradio.org)

**Regular Society Meetings**

These are held on the second Monday in each month at:  
St. Swithun's Church Hall, Grovelands Road, Purley, Surrey, CR8 4LA at 20:00 to 22:00

**Society Nets**

1st Saturday of Month - 17:15 - Crescenta Valley / CATS Net on Echolink/ GB3NS  
Sunday mornings - 11:00 - Call on 145.400 MHz  $\pm$  QRM  
Sunday evenings - 17:00 - Call on 3.700 MHz  $\pm$  QRM  
Wednesday evenings - 21:00 - Call on 70.425 MHz

**CATS Website** [www.catsradio.org](http://www.catsradio.org) **Email** [enquiries@catsradio.org](mailto:enquiries@catsradio.org)

**Forthcoming Meetings**

Monday May 9th Talk on motorcycle trip to Himalayas by M0NAT  
Monday Jun 13th CATS Annual DF Hunt  
Monday Jul 11th Radio Susy by John, G8MNY



CATS is twinned with the Crescenta Valley Radio Club  
Glendale California USA [www.gsl.net/cvrc](http://www.gsl.net/cvrc)

## **April Meeting Report**

Glenn, G4FVL, writes:

“Please bear in mind it is G4FVL writing this so spelling and punctuation have gone right out the window, and as you all know everyone is entitled to my opinion! Now down to business.

“As a replacement for the advertised lecture we showed two RSGB video packages. The first was an account of the first amateur in space by the man himself - W0ORE Tony England. The RSGB web site claims that this DVD runs for 53 minutes but the version we had was only 25 minutes long – and that included some rather long titles of dubious video quality. However it did show some very enthusiastic people trying to keep the space shuttle in communications as it hurtled round the planet at breakneck speed with a hand held rig and a rather nice home made antenna made to fit the shuttle window.

“The second DVD was entitled “Amateur Radio’s Newest Frontier, W5LFL Space Shuttle” and in my opinion it was the better of the two, both in terms of video quality and content.

“As with the first DVD, the space shuttles’ activities seem to have stirred up scouting and local amateur radio groups to exploit interest in space as a way of introducing newcomers to amateur radio by way of the space shuttle program.

“Perhaps in the future there will be other amateur experiments conducted this way after the space shuttles are retired this year, after a largely successful working life.

“Thanks to the 15 members who were present for making the DVD evening /natter night enjoyable.

“Perhaps CATS members can look at the RSGB web site for DVDs to see if there are any suggestions for future video meetings, see link below and let any of the committee know.”

[www.rsgb.org/membersonly/avlibrary/av\\_library\\_list\\_nov\\_08.pdf](http://www.rsgb.org/membersonly/avlibrary/av_library_list_nov_08.pdf)

## **Membership Matters**

We are pleased to announce that Graham Parsons, M6XDZ, has recently joined CATS.

Graham lives in East Grinstead and is in the process of completing his intermediate course. His exam is on 7th May so with any luck by the time this edition of Cats Whispers is published he will have gained his 2E0xxx callsign.

A warm CATS welcome to Graham – and good luck on May 7th!

Another CATS member with an imminent radio exam is SWL Denis. He is enrolled to do a Foundation Course with mid-Sussex ARS at the end of May. We hope to hear him on the air soon.

Finally, CATS member Dave, G8VXB, has broken his leg. We wish him well and hope for a speedy recovery.

## **Transponder Net:**

Mark, W6MW, writes:

“A loyal group of friends got together on Saturday, April 2 for the monthly Transponder Net. They had not had a chance to speak since February due to personal issues and the VHF Contest going on in Surrey so they had plenty of catching up to do.

<i>Participants on April 2nd</i>	
<b>US</b>	<b>UK</b>
AD6IZ Larry	G0KZT Andy
K6POI Tim	G8JAC Andy
W6MW Mark	G3ZMF Frank

“Three of the members joined via Echolink (Tim and Mark on their computers and Andy, G0KZT on his iPod) and the rest used good old fashioned RF on 70 cm in both countries.

“Special thanks goes to Denis, G0OLX, for the use of the GB3NS Repeater (and Trevor for his link) and Mark (KE6ZRP) for linking us up to the CVRC Club Repeater, N6JLY.

“If you would like to get involved jump in! The net is a controlled one - check-ins are taken about five minutes before start time and the conversation flows in order of check-in alternating from one side of the “pond” to the other. We like to limit the net to members of each Club as it is a way to keep our twinning arrangement active and exciting. The net has resulted in a few trips to visit our friends and lots of eyeball QSOs over the years.

"The next net will occur at 9:15 AM local time in Los Angeles and 17:15 local time in the UK on the first Saturday of the Month of May (May 7). We hope you will join us! The more the merrier!"

73 de Mark  
W6MW

*Editor's Note: The Crescenta Valley newsletter is available online at [www.qsl.net/cvrc/qsx.html](http://www.qsl.net/cvrc/qsx.html)*

## **CATS May Meeting**

This meeting will feature a talk by MONAT on a motorcycle trip to the Himalayas – a name which incidentally means "Land Of Snow."

This talk has been rescheduled from February.

## **CATS June Meeting**

This will be the annual DF hunt, organised again by CATS Chairman Glenn, G4FVL. He writes:

"Hi all! Just a few words about this year's let's ~~beat Katie and her tech support G4FKK~~, sorry DF hunt.

"It's time to dust off the old kit, or for the more inventive time to create the next best ever antenna and RX combo, no matter how different it might be! We can always try to have it exhibited in the Tate.

"As usual we will be fighting for the elusive CATS DF trophy, which seems to have spent most if not all its short life so far at the QTH of Martin G4FKK.

"As this year's Fox, I have decided to arrange another on-foot event WX permitting. (Well you know me still trying to save the odd ounce of CO<sub>2</sub>.)

"On this occasion we will be starting the hunt just behind the Fox Public house to avoid the problem with the early closure of the Farthing Downs car park that we experienced last year.

"Kick off will be at 19:30 and all CATS members are welcome, don't worry if you're late you can still have a bash, as the final venue will be the Fox at approx 21:30 ish for a reviving beer or Vin Rouge etc.

"Steve G3WZK will be at the start and lurk for a short while. Should you need to I can be contacted on the DF freq 145.275, FM or if in use say 145.550 MHz.

"As a suggestion why not gang up on me and form a posse using a talk back of say 145.400 MHz, as a suggestion.

"Overall we are supposed to have fun so lets do just that!!!!

"I hope to see a few of you there and that you will find me. Go on have a go - even with a crystal set and meter as an absorption wave meter. If you have a Heath Robinson approach, so much the better!

"I am sure we can negotiate transport if needed, although if the W is OK I can only provide a crossbar ride on my bike. Hi !

73 de Glenn G4FVL

## **CATS July Meeting**

This will be a talk by John, G8MNY, about Radio Susy, the community radio station for the Redhill and Reigate area. For more information, visit:

[www.susyradio.com/](http://www.susyradio.com/)

## **Royal Wedding Fever**

This event should be done and dusted by the time you read this, but CATS member Laurence G4DMA/ KL7UK has sent CW some interesting recollections about the happy couple. He writes:

"I wish I could have been there. It brought back some unique memories for me. I had the opportunity to instruct Prince William and others in radio operating and theory (dipoles, radio and coaxial cable care, voice procedure, etc) whilst he was on his gap year down in Chile back in 2000. He had some advantages because of his CCF (Combined Cadet Force) training and did a good job of sending "Sitreps" when it was his turn on safety radio system. Our base was just outside Coyhaique in Chile very near the Argentine border. The transmitter used 100W into a set of wideband and discrete dipoles up at 40ft or so. Field parties used the HF90E rig running 50W peak into low dipoles. I think I

was back in Chile when Kate Middleton was one of the "Venturers" too, but I can't find my training log..... :-))

73 de Laurence G4DMA, KL7UK et al, in a rather stormy and rainy Oklahoma.

## CATS Contesting

It seems a long while since CATS participated in the Brass Monkeys contest back in March. Since then, the temperature (at the Editor's QTH at least), has hit 27 Celsius in the shade. However the RSGB has now published the results which show that in the Open Section on 2 metres, CATS came 4<sup>th</sup> out of 6 entrants, while on 70 centimetres we came 3rd out of 5 entrants

When the results of the two bands are combined, we achieved fourth overall in the Open Section, see below:

Pos	Call	144 MHz	432 MHz	Total	Group
1	G5B	1,000	1,000	2,000	Five Bells Group
2	M9T	515	363	878	Moors Contest Group
3	G7HOA/P	351	0	351	Widnes & Runcorn ARC
4	G4FUR/P	223	93	316	Coulsdon ATS
5	GU6EFB	94	48	142	GARS
6	G0LGS	24	14	38	

For full results, visit:

[www.rsgbcc.org/vhf/results/11/mar144432.html](http://www.rsgbcc.org/vhf/results/11/mar144432.html)

Consideration is now being given to entering the third 144 MHz backpackers contest on July 3rd 2011. Please contact G3ZMF or any committee member if you are interested in supporting this event.

## Kempton Park

Glenn, G4FVL, writes:

"Hi all just a note to say thanks to Andy G0KZT, James G0SDB, Len G0GNQ, Ian M3IGP, Steve G7SYO, Steve G3WZK, Clinton G7CAK not forgetting Frank G3ZMF. "On a personal level I thought we had a nice day, as usual things on the bring and buy were buzzing as folks seemed to make a bee line for the b&b with lots of kit to enable freeing up of valuable asset cash! Things then settled down to a reasonable level. It was good to see one

or two other CATS members at the rally, stocking up on this and that.

"Martin G4FKK was also in attendance, in his other role of Rig Doctor.

"One exciting moment was instigated by Steve G3WZK, who suddenly noticed that Mike G8AAI was looking after Frank's table, and inquired if he had sold Frank. Such was the level of trade, one of the first comments was "HOW MUCH DID HE GO FOR?"

"The stall raised some £80 or so for club funds, and overall I felt that a good time was had by all who attended the event."

73 de Glenn G4FVL



John G4FIT and Helen Seeley visiting the CATS stand at Kempton Park (G7SYO photograph)

## For Sale/ Exchange/ Wanted/ W.H.Y.?

A 50 ohm dummy load is required for G4SXY's grandson to work with Gerry's old FT101ZD. If you have one that you want to get rid of, please contact Gerry G4SXY QTHR.

## PLT - Problem? What problem?

CATS member Andy, G8JAC, has kindly sent CATS Whispers several items on this rather worrying topic.

Firstly from the UKQRM website, some text about GCHQ's position on the topic of Power Line Technology and Associated Home Networking Devices:

"Government Communications Headquarters (GCHQ) wishes to express its concern over the manufacture, importation, and sales of

equipment used in support of the above technology.

“In the main, this equipment is not CE marked and currently meets no EMC standard with specific regard to radio interference in the HF, VHF, and UHF spectrum. The lack of protection is likely to cause a detrimental affect to part of the core business of this Department.

“We are already measuring an increase in the HF noise floor in the vicinity of our HF receiving stations, with wide variations between day time and night time levels. The propagation of noise in this band also varies according to seasonal changes and other natural phenomena.

“In the Power Line Technology (PLT) meeting of 8 February 2011 the Civil Aviation Authority, amongst others, expressed a view that the RFI from these devices was likely to pose a safety of life risk. We concur and support this view from our own perspective. Other interference issues have been raised by MoD, BBC, RSGB, and other players in the telecommunications industry.

“Although not wishing to be product specific, we understand that Comtrend currently estimates that in excess of 1.5 million units are in circulation within the UK and that numbers are due to escalate significantly with the release and promotion of ‘Youview’. Additionally, BT’s Vision service also supplies the Comtrend 9020 product.

“Currently there is no agreed harmonised standard to regulate these devices and therefore, de facto, they should not be available for sale/use within the EU. Ofcom and the Department for Business Innovation & Skills (BIS) do have powers under existing legislation to stop the current rollout of this technology, and GCHQ would petition them to act to ensure the situation does not deteriorate such that HF communications reception becomes impossible.

“For information on supporting the UKQRM working group, please visit [www.ukqrm.org/](http://www.ukqrm.org/) “

Andy has also sent CW to links about Ofcom and the PLT problem:

[www.theregister.co.uk/2011/04/05/ofcom\\_plt\\_response/](http://www.theregister.co.uk/2011/04/05/ofcom_plt_response/)

[www.theregister.co.uk/2011/03/31/ofcom\\_plt/](http://www.theregister.co.uk/2011/03/31/ofcom_plt/)

## **Contests Coming Soon**

### **2011 :**

May 7: 432MHz Trophy Contest  
May 7: 10GHz Trophy Contest  
May 7-8: 432MHz-248GHz Contest  
May 15: 70MHz Contest CW  
May 21-22: 144MHz May Contest  
May 22: 1st 144MHz Backpackers  
May 22: 70MHz Cumulatives #3  
Jun 4-5: NFD  
Jun 12: 2nd 144MHz Backpackers  
Jun 18-19: 50MHz Trophy Contest  
Jun 26: 70MHz Cumulatives #4  
Jul 2-3: VHF NFD  
\*Jul 3: 3rd 144MHz Backpackers  
Jul 17: Low Power Contest  
Jul 17: 70MHz Trophy Contest  
Jul 30-31: IOTA Contest  
Aug 6: 4th 144MHz Backpackers  
Aug 6: 144MHz Low Power Contest  
Aug 7: RoPoCo CW  
Aug 7: 432MHz Low Power Contest  
Aug 10: 80m Club Sprint CW  
Aug 14: 70MHz Cumulatives #5  
Aug 25: 80m Club Sprint SSB  
Sep 3-4: Sep SSB Field Day  
Sep 3-4: 144MHz Trophy Contest  
Sep 4: 5th 144MHz Backpackers  
Sep 11: Second 70MHz Contest  
Oct 1: 1.2GHz Trophy / 2.3GHz Trophy  
Oct 1-2: 432MHz-248GHz IARU  
Oct 16: Second 50MHz Contest  
Nov 5-6: 144MHz CW Marconi  
Nov 12: Club Calls  
Nov 19-20: 2nd 1.8MHz Contest  
Dec 4: 144MHz Affiliated Societies Contest  
Dec 26-29: 50/70/144/432MHz Christmas Cumulatives Contest

\* See note on page 4 of this issue of CW about this event.

## **Shak Nowtz**

Over the page you will find the eleventh in the series of articles written by “mad” Frank, G3ZMF which covers some useful circuits.

There is also a correction to Shak Nowtz no. 9 (page 7 March 2011 issue of CW).

Frank has asked me to point out that a gimmick capacitor is only a few pF and is made up from thin, single core insulated wires twisted together without the cores touching and about 12mm long.



# SHAK NOWTZ BY "MAD" FRANK - G3ZMF

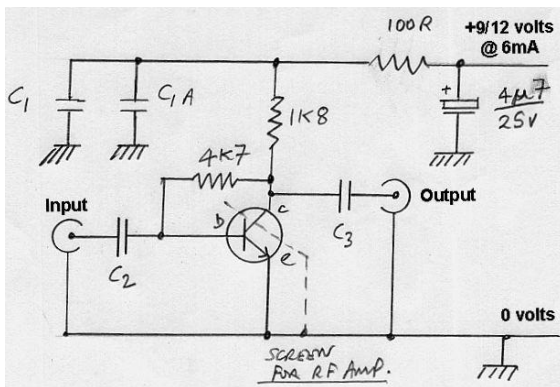
## SHAK NOWTZ No 11 – Useful circuit building blocks

### Introduction

These circuits are all ones that I have built and work well.

### Simple pre-amplifier for AF/RF

This circuit uses only a handful of components and depending on the capacitor values and the transistor used can be made to function from audio frequencies up to about 500 MHz.



The G3ZMF simple preamp. C<sub>1A</sub> is only used at VHF/UHF. All resistors are ¼ or ½ watt

For AF use C<sub>1</sub>, C<sub>2</sub> and C<sub>3</sub> can be 100 nF, 25 volt or higher working. The transistor can be BC107, BC108, BC109 or equivalent.

For LF/HF use, C<sub>1</sub> is 100nF while C<sub>2</sub> and C<sub>3</sub> are 10 nF. C<sub>1A</sub> is 1nF. The transistor can be BF180/BF181 or BFY90, not forgetting to earth the screen connection.

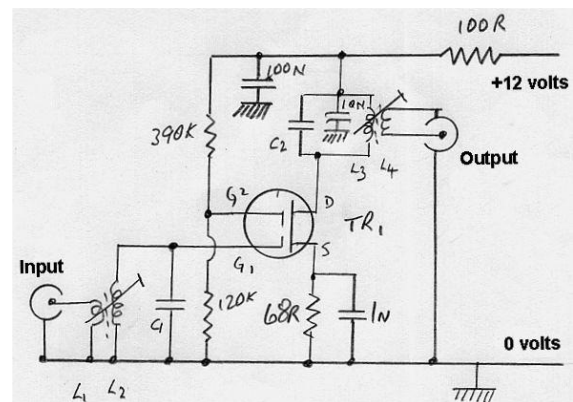
For VHF/UHF use, C<sub>1</sub> is 100nF, C<sub>1A</sub> is 1nF C<sub>2</sub> and C<sub>3</sub> 500 to 1000 pF for VHF or 50 to 100pF for UHF. Tr1 can be BFY90 but for UHF try BF362.

### Tuned RF amplifier

This circuit is suitable for 6m, 4m or 2m. It was designed by my old friend Norman Hyde G2AIH (SK) who designed and wrote many articles on VHF and UHF (still to be found in the RSGB VHF/UHF book and the Radcom handbook.)

The 40673 dual gate MOSFET is still available

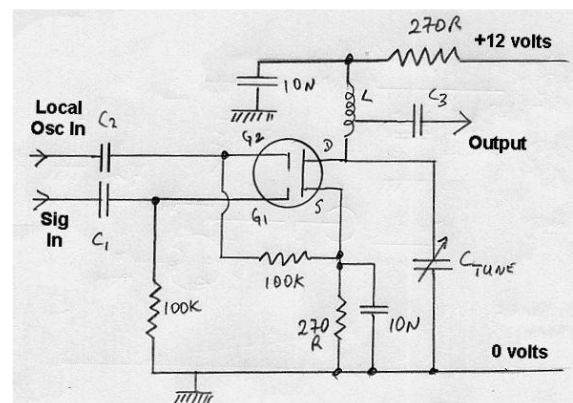
but may set you back up to £5 or more. Instead I recommend the MFE201: it is a direct pin-for-pin replacement, performs better and is available from CATS sponsors Sycom (see front of CW for details) for £3 to £4.



G3ZMF's tuned RF amplifier, originally due to G2AIH

L<sub>2</sub>/C<sub>1</sub> and L<sub>3</sub>/C<sub>2</sub> are selected to resonate at the desired frequency of use. L<sub>1</sub> and L<sub>4</sub> are a few turns of wire on the "earthy" end of the coils. In the case of the output coil, the "earthy" end is the one nearest the 12 volt rail. A gain of 10 to 20 dB is achievable.

### Useful RF mixer with "auto-bias" on gate 2



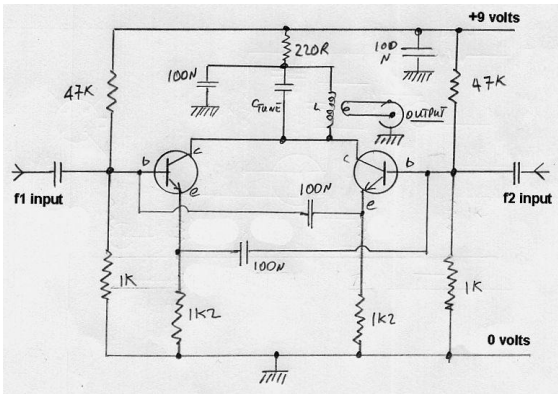
G3ZMF MOSFET mixer

C<sub>1</sub>, C<sub>2</sub> and C<sub>3</sub> are selected to suit the frequency of use. C<sub>TUNE</sub> and L form a parallel resonant circuit at the desired output frequency.

# SHAK NOWTZ No 11 – Useful circuit building blocks

## Circuit 4: Alternative mixer

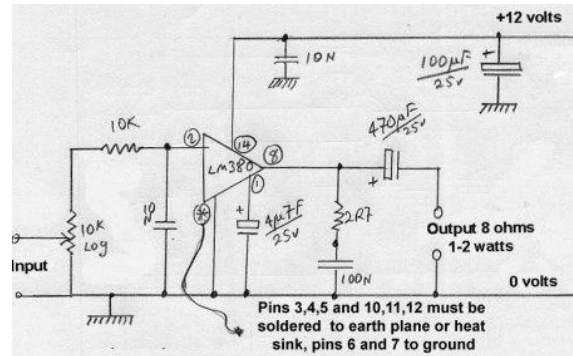
This alternative design uses a pair or either bipolar transistors or FETs. The output may be taken as either the sum or the difference of the input frequencies,  $f_1$  and  $f_2$ .



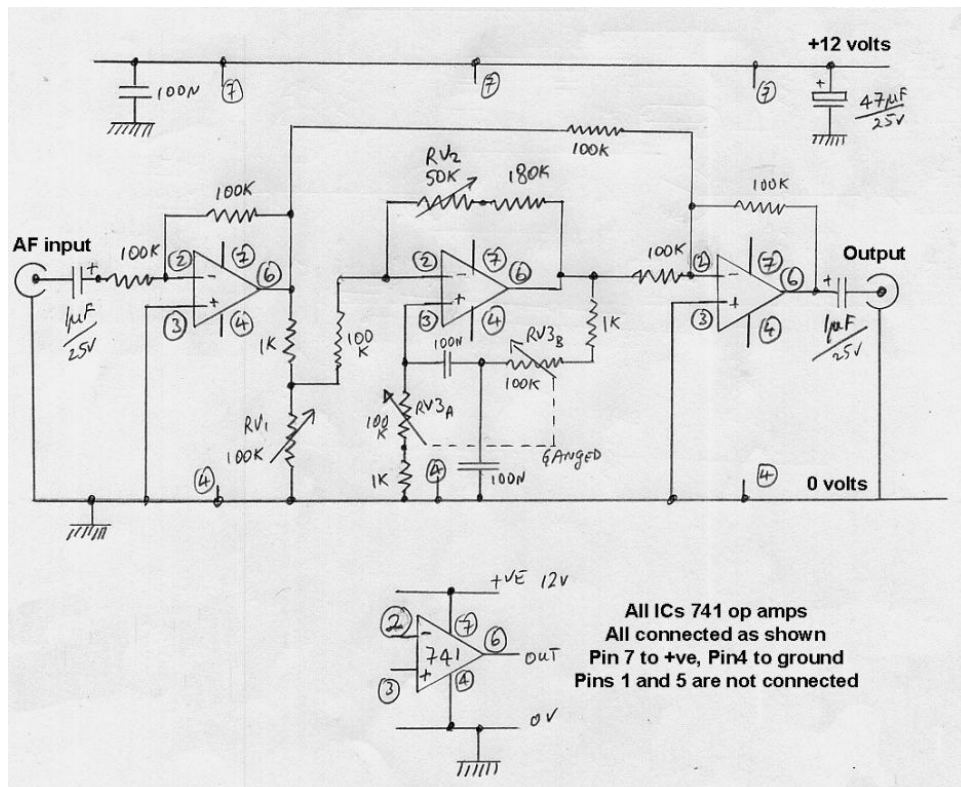
The ZL2JV alternative mixer: If using FETs for c read D, for b read G and for e read S

## Circuit 5: Handy AF Output Amplifier

This standard circuit uses the LM380 IC and provides an output of 1 to 2 watts. All resistors are 1/4 watt.



## Circuit 6: Tuneable notch filter



Circuit 6 – Tuneable notch filter





# Local Rallies & Events

**22 May 2011**

**28<sup>th</sup> Dunstable Downs RC National Amateur Radio Car Boot Sale**

Stockwood Park, Luton, M1 J10  
Open 09:00. Talk in on S22

[www.ddrcbootsale.org](http://www.ddrcbootsale.org)

**5 June 2011**

**Newhaven Fort Amateur Radio Group Rally**

Newhaven Fort, East Sussex  
Open 10:30. Parking, boot sale, disabled facilities, family attractions, catering

Contact Eddie G0ECW, 01273300772 or

[eddie@zamboodle.demon.co.uk](mailto:eddie@zamboodle.demon.co.uk)

[www.nfarg.webs.com/](http://www.nfarg.webs.com/)

**12 Jun East Suffolk Wireless Revival**

Orwell Crossing Lorry Park

A14 Eastbound, Nacton

Ipswich, Suffolk IP10 0DD

Open 09:30

Car Boot Sale, Bring & Buy Sale, Special Interest Radio Groups, Local Radio Clubs, RSGB Bookstall, Excellent Food and Facilities, Easy Parking, GB4SWR - HF Radio Station GB4SWR - Talk-in on 145.550MHz

Contact John G3XDY, 07710-044858 or

Steve, M1ACB 07711-329624

[www.eswr.org.uk](http://www.eswr.org.uk)

**19 June 2011**

**Newbury Radio Rally & Boot Sale**

Newbury Showground, M4 J13.

Open 09:00. Free parking, trade stands, catering, disabled facilities. Contact [rally@nadars.org.uk](mailto:rally@nadars.org.uk)

<http://www.nadars.org.uk/>

**24 – 26 June 2011**

**Hamtronic Show, Friedrichshafen**

Messe Friedrichshafen, Germany

Open 09:00 each day

[www.hamradio-friedrichshafen.de/ham-en/index.php](http://www.hamradio-friedrichshafen.de/ham-en/index.php)

**3 July 2011**

**Norfolk ARC Barford Radio Rally**

Barford 9 miles SW of Norwich close to A11 and A47

Open 09:00 (traders from 8am), CP, TI, CBS, B&B, C, TS, RSGB Bookstall, Demos.

Contact: David G7URP 01953 457322 or

[radio@dcpmicro.com](mailto:radio@dcpmicro.com)

[www.norfolkamateurradio.org](http://www.norfolkamateurradio.org)

**17 July 2011**

**McMichael Rally & Boot Sale**

Reading Rugby Club off A4 east of Reading

Open 09:30. Parking, trade stands, catering.

Contact [g0jms@radarc.org](mailto:g0jms@radarc.org)

[www.mcmichaelrally.org.uk](http://www.mcmichaelrally.org.uk)

**31 July 2011**

**Colchester Annual Rally**

Please note that this event has been CANCELLED.

[www.g3co.ccom.co.uk/rally.html](http://www.g3co.ccom.co.uk/rally.html)

**30/31 July 2011**

**Amsat Colloquium**

Holiday Inn Guildford GU2 7XZ

[www.uk.amsat.org/content/view/724/299/](http://www.uk.amsat.org/content/view/724/299/)

**14 August 2011**

**Flight Refuelling Hamfest**

Cobham Sports and Social Club Ground, Merley, Nr. Wimborne, Dorset BH21 3AA

[www.frars.org.uk](http://www.frars.org.uk)

**28 August 2011**

**Milton Keynes 51<sup>st</sup> Amateur Radio Society Rally**

Bletchley Park, Sherwood Drive,, Bletchley MK3 6EB

Open 09:30 trade stands, catering

Contact: Steve 07866 673192 or

[www.mkars.org.uk](http://www.mkars.org.uk)

**10-11 September 2011**

**Gatwick Vintage Radio Weekend**

Vintage Operating Group (M0VOG)

Hunters Moon, Reigate Rd (A217), Holmwood, RH6 0HU

Plenty space for overnight stay, BBQ on Saturday

Contact: Mike, M1CCF: 0208 654 2582 or

[m1ccf@talk.talk.net](mailto:m1ccf@talk.talk.net) or Andy G8JAC

[www.radioclubs.net/m0vog/](http://www.radioclubs.net/m0vog/)

**30 September/ 1 October 2011**

**National Hamfest**

George Stephenson Pavilion, Newark & Nottingham

Showground, Lincoln Road, Winthorpe, Newark NG24

2NY. For the latest details and ticket information, visit:

[www.nationalhamfest.org.uk](http://www.nationalhamfest.org.uk)

**7-9 October 2011**

**RSGB 2011 Convention**

Horwood House near Milton Keynes

Lecture streams

[www.rsgb.org/rsgbconvention](http://www.rsgb.org/rsgbconvention)

**11-12 October 2011**

**EMCUK Exhibition**

Newbury Racecourse

[www.emcuk.co.uk](http://www.emcuk.co.uk)

**6 November 2011**

**West London Radio & Electronics Show**

Kempton Park Racecourse.

Open 10:00. Parking, trade stands, catering, disabled facilities. Contact [info@radiofairs.co.uk](mailto:info@radiofairs.co.uk)

NOTE: CATS involvement in this event.

**20 November 2011**

**CATS 34th Annual Radio and**

**Electronics Bazaar**

Provisional arrangements as follows:

1st Coulsdon Scout Group headquarters, Lion Green Road in Coulsdon, Surrey. [Map](#)

Open 10:00 to 13:00

Parking, trade stands, bring and buy, refreshments

Contact: [enquiries@catsradio.org](mailto:enquiries@catsradio.org) or

[www.catsradio.org](http://www.catsradio.org)

# Other Club News & Contact Information

## **BROMLEY & DISTRICT ARS**

**Website:** [www.bdars.org.uk/](http://www.bdars.org.uk/)

**Email:** [info@bdars.co.uk](mailto:info@bdars.co.uk)

**Meetings:** 3<sup>rd</sup> Tuesday of every month at Victory Social Club, Kechill Gardens, Hayes, Kent, 19:30 for 20:00.

**17 May** - Amateur exams, behind the scenes and writing questions

**21 Jun** - Direction finding contest

**19 Jul** - Practical Operating Evening

**16 Aug** - BBQ / Natter Evening

**20 Sep** - 5 MHz Experiment Data Analysis

## **CPREC (CRYSTAL PALACE)**

**Website:** [www.gsl.net/g30ou/](http://www.gsl.net/g30ou/) or <http://www.g30ou.co.uk/>

**Club Net:** Wednesdays 20:00 on 145.525 MHz

**Meetings:** 1<sup>st</sup> Friday at All Saints Church Parish Rooms, Beulah Hill at 19:30

**06 May** - D-Star by Chris Howard 2E0CTH

**03 Jun** - TBA

## **CRAWLEY ARC**

**Website:** [www.carc.org.uk](http://www.carc.org.uk)

**Club Nets:** Tuesdays 20:00 on 145.550 MHz and Fridays 19:00 on 1.970 MHz

**Meetings:** Every Wednesday at Hut 18, Tilgate Forest Recreational Centre, Tilgate Forest, Crawley from 19:30, and Sundays, 10:30 to 13.00.

## **CRAY VALLEY RS**

**Website:** [www.cvr.org](http://www.cvr.org)

**Contact:** Richard Perzyna, G8ITB (see website)

**Club Nets:** Wednesdays 21:00 on 145.500/QSY and 22:00 on 3.720 ± QRM, and Sundays 11:00 on 3.720 ± QRM

**Meetings:** 1<sup>st</sup> and 3<sup>rd</sup> Thursdays at Progress Hall, Admiral Seymour Road, Eltham, SE9 1SL

**5 May** – The ICOM 756

**19 May** – Simple data communications

**16 Jun**- DF hunt

**21 Jul** – Social and BBQ

**18 Aug** – Natter nite and members' expo

**1 Sep** - High performance antennas

## **DORKING & DISTRICT**

**Website:** [www.ddrs.org.uk](http://www.ddrs.org.uk)

**Email:** [ddrs.secretary@yahoo.co.uk](mailto:ddrs.secretary@yahoo.co.uk)

**Contact:** David Smith, M0SXD, 07808579501

**Club Nets:** Sunday 08:15 on 3.770 MHz & Thursday 20:00 on 144.775 MHz

**Meetings:** Friends Meeting House, Butterhill, South Street Dorking at 19:30.

**May 24** - Personal Challenge evening.

**Jun 28** - Electrical Safety - Robin Page-Jones G3JWI

**Jul 26** - South Downs evening.

**Aug 23** - Social evening.

**Sep 27** - The STEPPIR antenna, Rob Barter M0ZAF.

## **HORSHAM ARC**

**Website:** [www.harc.org.uk](http://www.harc.org.uk)

**Club Nets:** Saturdays 21:30 on 144.725MHz and Sundays 10:00 on 3.722 MHz

**Meetings:** 1<sup>st</sup> Thursday at The Guide Hall, Denne Road, Horsham, Sussex

**5 May** - Software Defined Radio - Chris Smith - G4NUX

**2 Jun** - David Smith (M0SXD) - Repairing Vintage Radios

**7 Jul** – TBA

**4 Aug** – TBA

**1 Sep** – Tony Crake - RF Transmitters and Other Experiences

## **MID SUSSEX ARS**

**Website:** [www.msars.org.uk](http://www.msars.org.uk)

**Club Nets:** Sundays 08:00 on 3.740 MHz and at 11:00 on 145.350 MHz, Wednesdays 20:00 on 145.350 MHz and Daily 13:30 on 21.330 MHz

**Meetings:** Every Friday at Cyprus Hall, Cyprus Road, Burgess Hill, West Sussex for 19:45

**27 May** - Trams by Ian Gledhill

**24 Jun** - Radio Night & Table Top Sale

## **REIGATE ATS**

**Website:** [www.gsl.net/rats](http://www.gsl.net/rats)

**Email:** [rats@gsl.net](mailto:rats@gsl.net)

**Club Nets:** Thursdays 20:00 on 145.500 MHz and Sundays 20:00 on 3.740 – 3.760 MHz

**Meetings:** 3<sup>rd</sup> Thursday at RNIB, Redhill College, Philanthropic Road, Redhill for 19:30

## **SRCC**

**Website:** [www.g3src.org.uk](http://www.g3src.org.uk)

**Contact:** John Kennedy G3MCX, 020 8688 3322

**Club Nets:** Sunday 09:30 on 1905 kHz

Daily natter channel – 144.215 MHz at 19.30.

**Meetings:** 1<sup>st</sup> & 3<sup>rd</sup> Mondays at Trinity School, Shirley Park, Croydon CR9 7AT 19:45 for 20:00

**9 May** – Construction Evening

**6 Jun** - Construction Contest

**4 Jul** – BBQ

**1 Aug** – Talk (TBA)

**5 Sep** – Talk (TBA)

## **SUTTON & CHEAM RS**

**Website:** [www.scrs.org.uk](http://www.scrs.org.uk)

**Contact:** John Puttock G0 BWV 020 8644 9945

**Club Nets:** Monday 20.00 on 145.500 MHz

Saturday 11.00 on 145.500 MHz

**Meetings:** 3<sup>rd</sup> Thursday at Sutton United Football Club, The Borough Sports Ground, Gander Green Lane, Sutton. 19:30 for 20:00

**19 May** – AGM

**23 Jun** – (note new date) Susy Radio – John, G8MNY

**21 Jul** – Repairing Vintage Radios - Dave Smith M0SXD (TBC)

**18 Aug** – TBC

**15 Sep** – TBC

**20 Oct** – TBC

## **WIMBLEDON & DISTRICT ARS**

**Website:** [www.gx3wim.org.uk](http://www.gx3wim.org.uk) (currently unavailable)

**Contact:** Jim Bell M0CON 020 8874 7456

**Club Net:** Mondays 20:45 on 145.500 MHz

**Meetings:** 2<sup>nd</sup> & last Friday of each month at Martin Way Methodist Church, Buckleigh Avenue, Merton

**27 May** - Audio Amplifiers and the National Valve Museum - Allan Wyatt

**24 Jun** - Modern Photography – Peter Beardow G1SHV

**8 Jul** - Preparation Meeting for Summer Camp

**29 Jul** - Summer Camp setup

**5 Aug** - Summer Camp BBQ

**7 Aug** - Summer Camp ends

**9 Sep** - Summer Camp Retrospective

CATS Whispers is published monthly by  
S J Beal G3WZK on behalf of the  
Coulson Amateur Transmitting Society. © C.A.T.S. 2011